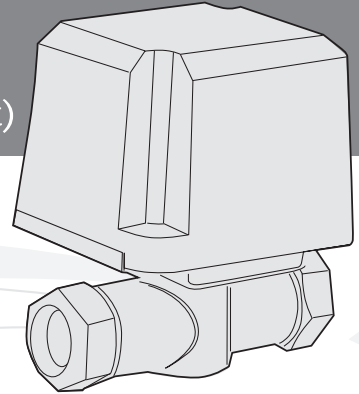




Instruction Manual

Replacement ACTUATOR AC2

for Model Nos:- MV222 (22mm 2 Port) & MV228 (28mm 2 Port)



Thank you for purchasing this Salus product.

Warning - Please read this manual prior to installation or use.

Shock Hazard ⚡

This unit must be installed by a competent person, in accordance with BS 7671 (the IEE Wiring Regulations), or other relevant national regulations and codes of good practise.

Always isolate the AC Mains supply before connecting or exchanging an actuator head.

Salus Motorised Valves offer the ultimate choice for Installers.

A simple to replace actuator that requires no need to drain down, Manual lever for filling or drain downs, these valves offer a reliable and outstanding performance to the user.

Suitable for all domestic circumstances as well as certain commercial applications.

The Actuators and valve bodies are supplied together but actuators can be purchased separately. Both 2 port and 3 Port valves are available in 22mm and 28mm to cover all applications.

Sales +44 (0) 8700 766900
Technical +44 (0) 8700 766902

Salus Controls plc
Salus House,
Dodworth Business Park South,
Dodworth, Barnsley S75 3SP

Web: www.salus-tech.com
Email: sales@salus-tech.com

Maintaining a policy of continual product development Salus Controls plc. reserve the right to change specification, design and materials of products listed in this brochure without prior notice.

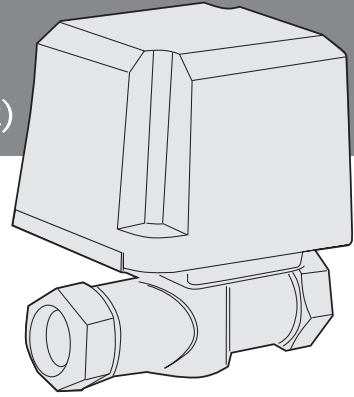
Manual Issue No. IM-AC2-006



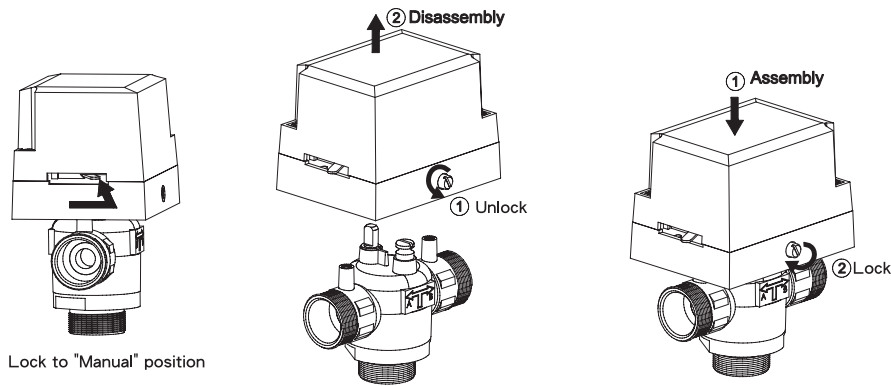
Warning: Valves are not suitable for use on mains water supplies.

Replacement ACTUATOR AC2

for Model Nos:- MV222 (22mm 2 Port) & MV228 (28mm 2 Port)

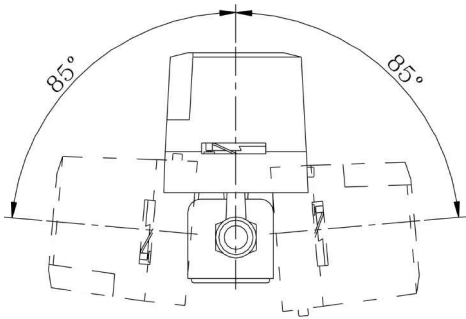


Assembly/Disassembly indication



Lock to "Manual" position

Permitted angle of installation



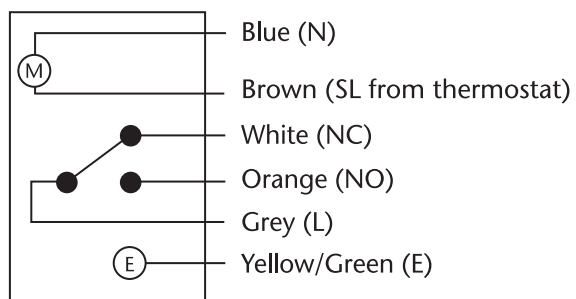
Notice:
After installation,
please remove the lever stopper
before the first use.



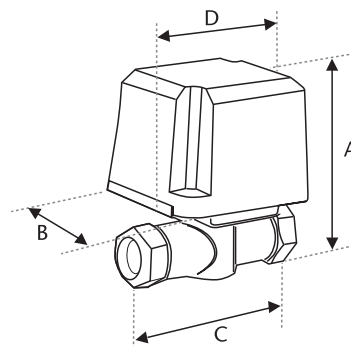
Specification

Power Supply	: 230V AC/50HZ
Switch Type	: SPST
Switch Rating	: 2.2A
Power Consumption	: 6.5W
Ambient Temperature	: 50°C Max
Flow Temperature	: 5°C to 90°C
Flow Direction	: As Per Valve Body
Agency Approval	: CE

Wiring Diagram



Dimension (mm)



	A	B	C	D
22mm	110	70	110	90
28mm	110	70	120	90